

| | |
|-----------|--------------------|
| APPROVED | O.G. FIG. |
| BY | CLASS NO. 00776599 |
| DRAFTSMAN | |

09/762772

PCT/JP00/03747

1 / 4

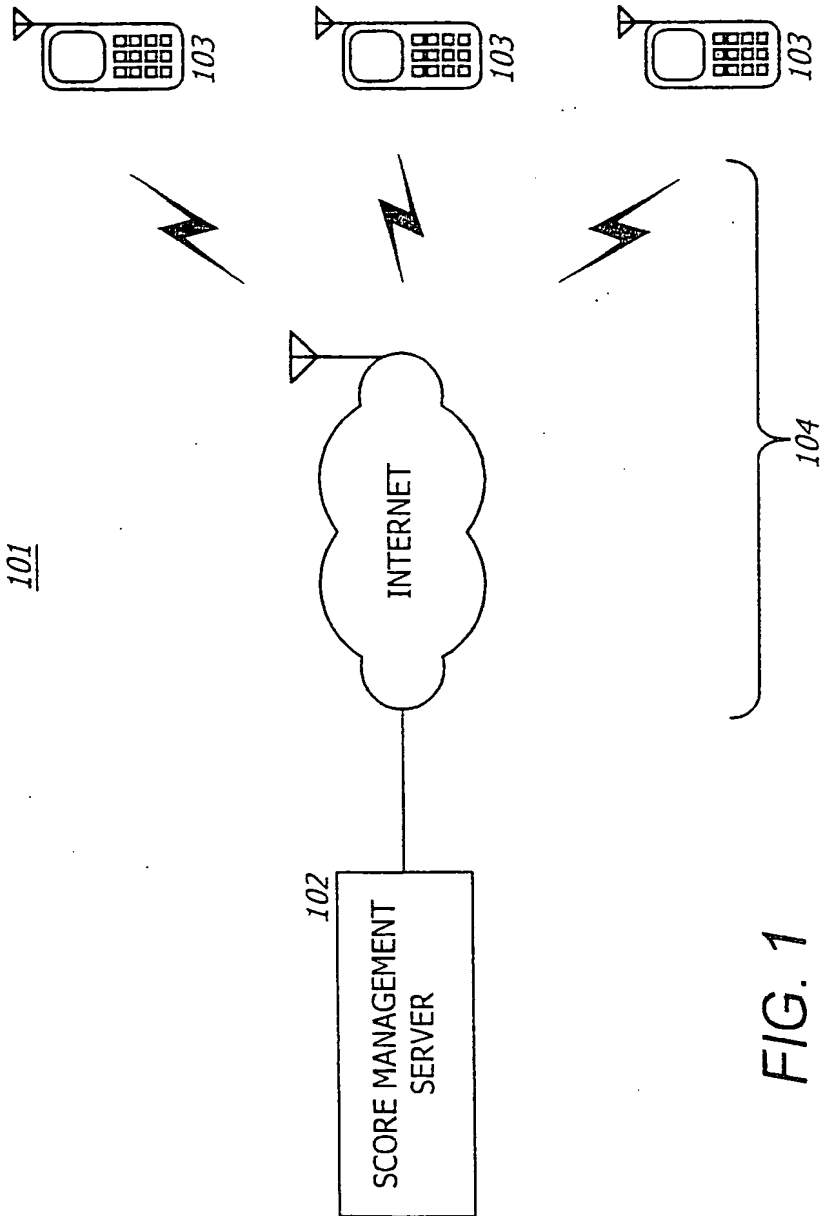


FIG. 1

FOR 2002/23260

2 / 4

102

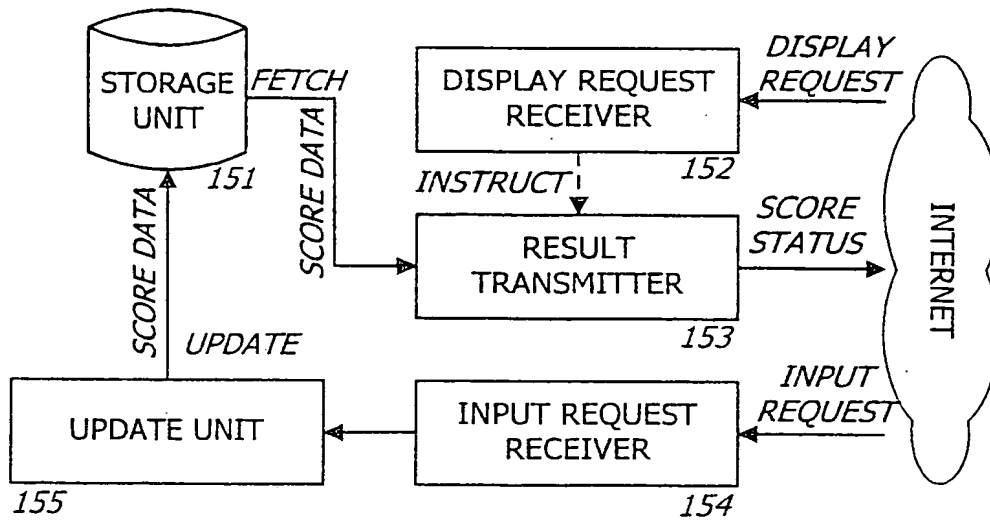


FIG. 2A

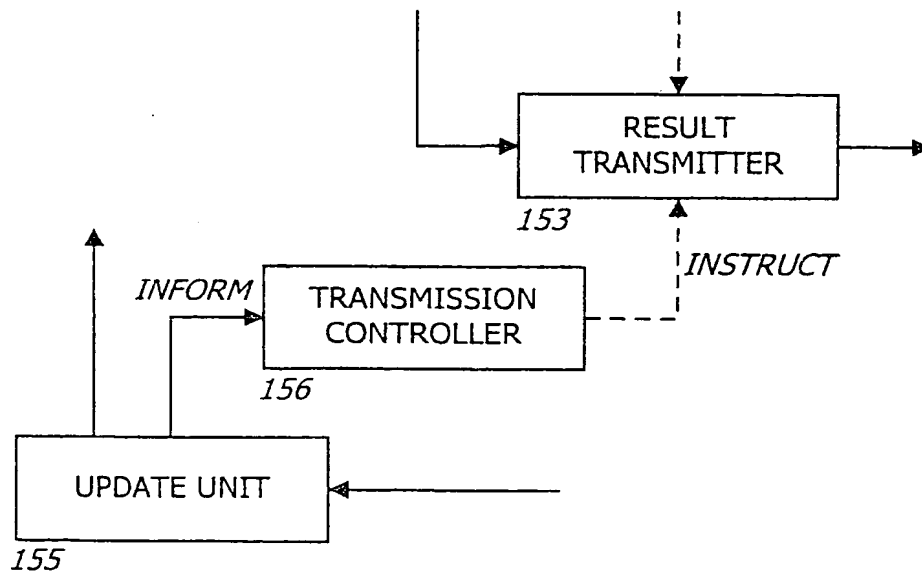


FIG. 2B

TOSHIBA CORPORATION

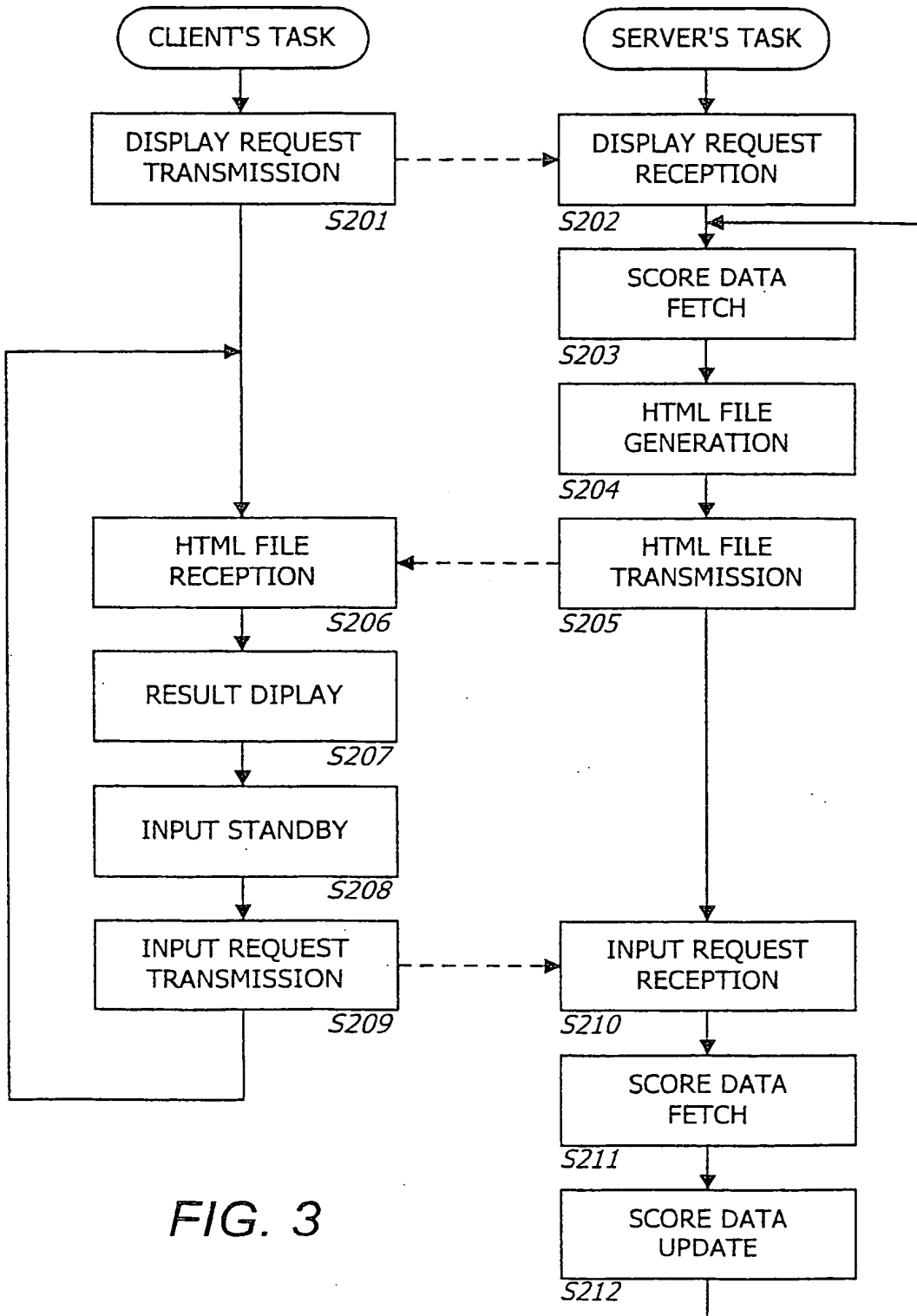


FIG. 3

09/762772

| | | |
|-----------|-----------|----------|
| APPROVED | O.G. FIG. | |
| BY | CLASS | SUBCLASS |
| DRAFTSMAN | WO 00 | 76599 |

4 / 4

301

EIGHTEEN-HOLE GOLF COURSE
FEB. 11, 1999

302

HOLE: 9
PAR: 3

| | | |
|----------|----------------------|--------------------------|
| WOODS | <input type="text"/> | <input type="checkbox"/> |
| ELS | <input type="text"/> | <input type="checkbox"/> |
| NICKLAUS | <input type="text"/> | <input type="checkbox"/> |
| NORMAN | <input type="text"/> | <input type="checkbox"/> |

303

O K 304

| | | |
|------|----------|--------|
| 1ST | SINGH | -4 (9) |
| 2ND | ELS | -3 (8) |
| 3RD | DUVAL | -2 (7) |
| 24TH | WOODS | +4 (8) |
| 52ND | NORMAN | +5 (8) |
| 63RD | NICKLAUS | +6 (8) |

FOR FIG. 4

FIG. 4